

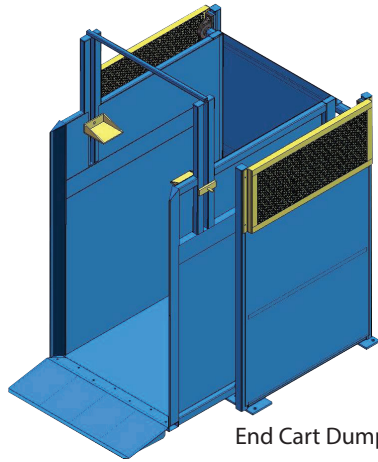
Hydraulic Cart Dumpers



- ✓ Heavy duty rugged construction
- ✓ Easy to maintain
- ✓ End and side discharge units to fit common size carts
- ✓ Side dumpers available with pass through cart flow
- ✓ Customization available to meet special applications
- ✓ Proudly made in America

The Speed Check Conveyor Hydraulic End Cart Dumpers and Side Cart Dumpers are designed to work with a Meese 72-P, Dandux 51-2401 bulk soiled linen truck (or an equivalent). The adjustable stops allow carts of different heights ranging from 43" to 77" to be used. The Cart Dumper raises the bulk delivery truck and its load to an infinite number of positions to allow the material to be delivered from the truck to a sort table or belt conveyor at a controlled rate. The Cart Dumper uses the power of hydraulics to raise and lower a truck.

Hydraulic Cart Dumpers



End Cart Dumper



Side Cart Dumper

Standard Models

CDE-650 End Discharge • CDS-650 Side Discharge

Standard Specifications

- ✓ Overall dimensions in tilt position including safety guards and cart:
 - CDE: 5'-6" (width) x 7'-0" (length) x 12'-5" (height), Cart (72P) discharge height 4'-5"
 - CDS: 8'-0" (width) x 8'-5" (length) x 10'-7" (height), Cart (72P) discharge height 4'-0"
- ✓ Self contained 1500 PSI 2 GPM hydraulic unit
- ✓ 2.0 horsepower 3PH motor on CDS-650, 3.0 horsepower on CDE-650
- ✓ "Up / Down" controls on unit
- ✓ Remote "Up Only" push button
- ✓ Main support frame constructed of heavy duty painted mild steel tubing
- ✓ Designed to work with Meese 72P or similar bulk carts
- ✓ Repairable NFPA tie rod cylinders
- ✓ Larger capacities available upon request
- ✓ Larger sizes available to work with Meese 95P truck

speed check
conveyor

A Member of the White Conveyors Family



5345 Truman Drive • Decatur, GA 30035
1-800-241-0990 • 770-981-5490
info@speedcheckconveyor.com